

Specifications

Insulation Resistance: 1,000MΩ min. at 500V DC
 Withstanding Voltage: 500V AC rms for 1 minute
 Contact Resistance: 40mΩ max. (initial resistance) excluding conductor resistance of terminal (25mΩ)

Voltage Rating: 250V AC
 Current Rating: 0.5A
 Operating Temp. Range: -20°C to +60°C

Materials and Finish

Contact: PB / Ni-Au
 Insulator Base: PA, black

Features

- SMT type terminals
- Acceptable for automation mounting machine
- Space saving design and low profile 4.0mm design



Part Number (Details)

CN015 RZ - 30 1 2 - *

Series No.

RZ = 3.3V for SmartMedia Card (3.3V)

Type 30

PCB Mounting: 2 = Self Tapping Screw (Screw 1.7mm See Note 1)

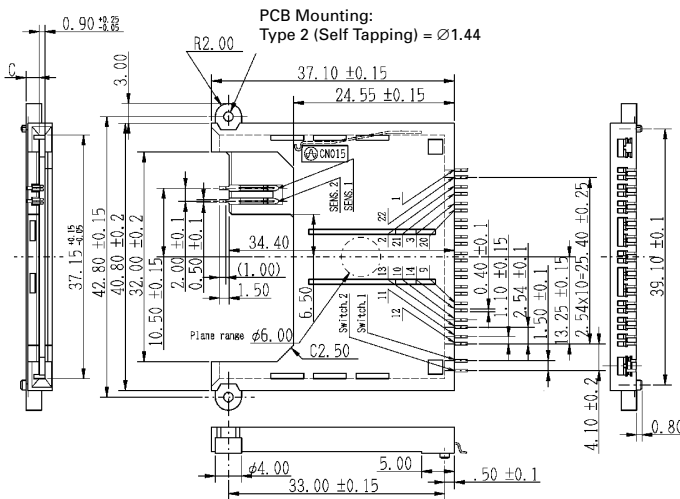
Height of Stand-off: ***)

0 = A(0.30mm), B(4.00mm), C(2.00mm)

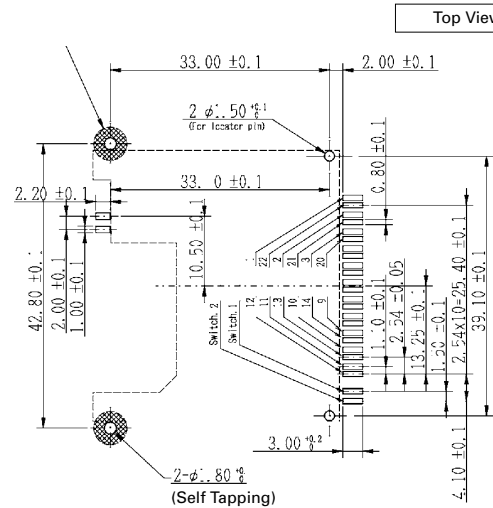
2 = A(2.00mm), B(5.70mm), C(3.70mm)

***) Dimensions A, B and C are shown in drawings below.

Type 30 with Self Tapping Screw (CN015RZ-3012-0)

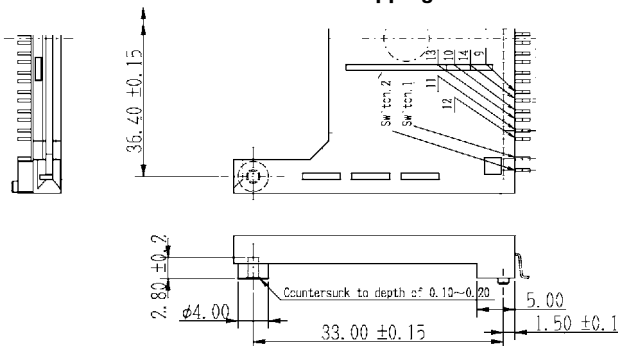


Recommended PCB Layout (CN015RZ-3012-0)

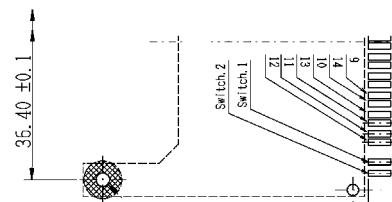


Type 30 with Self Tapping Screw (CN015RZ-3012-2)

Dimensions for CN015RZ-3012-2 are the same as above only the self tapping screw hole distance is different and 2.00mm stand-off



Recommended PCB Layout (CN015RZ-3012-2)



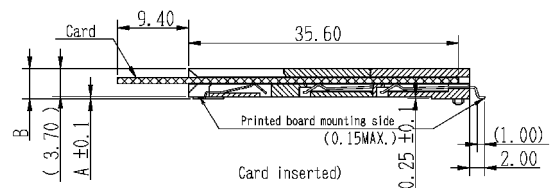
Info:

The Switch should be open when card is not inserted, and should be closed when card is inserted

Note 1:

- Use self tapping screw from the back side of 1.7mm or more (PCB thickness +2.0mm).
- Binding torque 1.28gfcm (0.118N · m) or less
- Repeated binding number = 5 times or less

Card Insertion Details



Function Table

Part Number	Voltage of SmartMedia	Ejector	Mis-insertion Protection	Sequential Contact	Write Protection Switch
CN015RZ-3012-0	3.3V	No	No	Yes	Yes
CN015RZ-3012-2					

